

MRS[®]

ARCHITECTURAL HARDWARE



NRS

HARDWARE FITTINGS



CIZON

HARDWARE FITTINGS



PREMIUM SERIES
STAINLESS STEEL



MRS PREMIUM HINGES

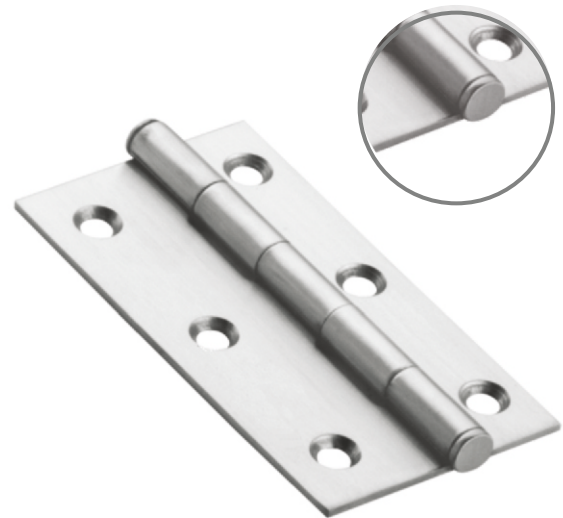
| Size (Inch/mm) | PCS/BOX | PCS/CRTN. | Price |
|--------------------|---------|-----------|-------|
| 3x16 (75x1.70) | 30Pcs. | 720 | 22.00 |
| 4x14 (100x1.90) | 10Pcs. | 240 | 41.00 |
| 5x14 (125x1.90) | 10Pcs. | 240 | 55.00 |
| 3x12 (75x2.50) | 20Pcs. | 480 | 37.00 |
| 4x12 (100x2.50) | 10Pcs. | 240 | 53.00 |
| 5x12 (125x2.50) | 10Pcs. | 240 | 73.00 |

PREMIUM SERIES
STAINLESS STEEL



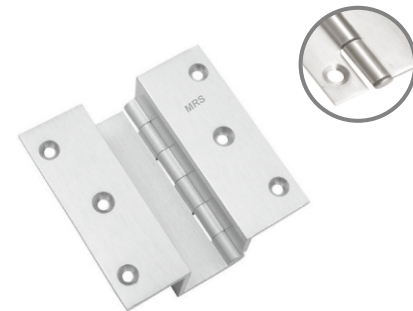
MRS PREMIUM HINGES

| Size (Inch/mm) | PCS/BOX | PCS/CRTN. | Price |
|----------------------------|---------|-----------|-------|
| 2 x 16 | 30Pcs. | 720 | 20.00 |
| 2.5 x 16 | 30Pcs. | 720 | 21.00 |
| 3x1/2x3/4 (75x13x19) | 30Pcs. | 720 | 20.00 |
| 3x3/4x3/4 (75x19x19) | 30Pcs. | 720 | 21.00 |
| 3"(Small Cut) (75x15x10) | 30Pcs. | 720 | 19.00 |
| 3"(Small Cut) (75x15x15) | 30Pcs. | 720 | 20.00 |
| 3"(Small Cut) (75x27x10) | 30Pcs. | 720 | 21.00 |
| 2.5"(Assam Cut) (60x27x10) | 30Pcs. | 720 | 19.00 |
| 4x1/2x3/4 (100x13x19) | 20Pcs. | 480 | 25.00 |
| 4x3/4x3/4 (100x19x19) | 20Pcs. | 480 | 30.00 |
| 75x13x25 | 30Pcs. | 720 | 26.00 |
| 75x19x25 | 30Pcs. | 720 | 28.00 |
| 100x13x25 | 20Pcs. | 480 | 36.00 |
| 100x19x25 | 15Pcs. | 360 | 42.00 |



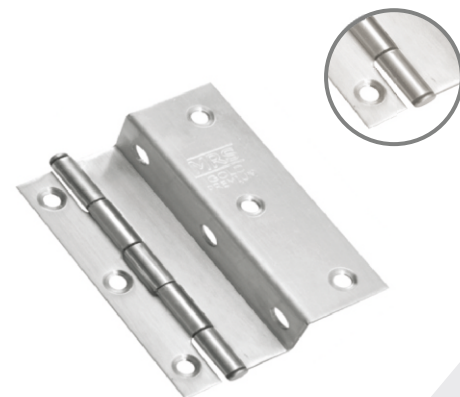
MRS PREMIUM W HINGES

| Size (Inch/mm) | PCS/BOX | PCS/CRTN. | Price |
|----------------|---------|-----------|-------|
| 75 X 12 X 6 | 10 | 240 | 46 |
| 75 X 12 X 12 | 10 | 240 | 48 |
| 75 X 12 X 19 | 10 | 240 | 50 |



MRS PREMIUM L HINGES

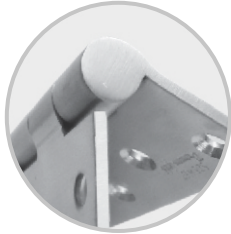
| Size (Inch/mm) | PCS/BOX | PCS/CRTN. | Price |
|----------------|---------|-----------|-------|
| 75 x 10 x 6 | 20 | 480 | 40.00 |
| 75 x 10 x 13 | 20 | 480 | 42.00 |
| 75 x 10 x 19 | 20 | 480 | 44.00 |
| 75 x 10 x 25 | 15 | 360 | 46.00 |



**GOLD SERIES
STAINLESS STEEL**

MRS (WELDING HINGES)

| Size (Inch/mm) | PCS/BOX | PCS/CRTN. | Price |
|-------------------------|---------|-----------|--------|
| 3 x 16 | 30 | 720 | 32.00 |
| 3 x 14 | 20 | 480 | 40.00 |
| 4 x 14 | 10 | 240 | 54.00 |
| 5 x 14 | 10 | 240 | 69.00 |
| 3 x 12 | 20 | 480 | 52.00 |
| 4 x 12 | 10 | 240 | 70.00 |
| 5 x 12 | 10 | 240 | 90.00 |
| 6 x 12 | 10 | 180 | 120.00 |
| 4"x1.25"x3.00 mm (4x10) | 10 | 160 | 116.00 |
| 5"x1.25"x3.00 mm (5x10) | 10 | 160 | 132.00 |
| 6"x1.25"x3.00 mm (6x10) | 10 | 160 | 150.00 |
| 5"x1.50x3.00 mm | 10 | 160 | 162.00 |
| 8"x1.50x300 mm | 5 | 100 | 270.00 |



MRS (WELDING HINGES)

| Size (Inch/mm) | PCS/BOX | PCS/CRTN. | Price |
|----------------------|---------|-----------|-------|
| 75x15x10 | 30 | 720 | 26.00 |
| 75x13x19 (3 x cut) | 30 | 720 | 28.00 |
| 75x19x19 3 x Narrow | 30 | 720 | 30.00 |
| 75x27x10 | 30 | 720 | 32.00 |
| 75x13x19(Heavy 1.80) | 30 | 720 | 32.00 |
| 75x13x25 | 30 | 720 | 36.00 |
| 75x19x19(Heavy 1.80) | 30 | 720 | 34.00 |
| 75x19x25 | 30 | 720 | 39.00 |
| 100x13x19 | 20 | 480 | 36.00 |
| 100x19x19 | 20 | 480 | 41.00 |
| 100x13x25 | 20 | 480 | 45.00 |
| 100x19x25 | 15 | 360 | 51.00 |
| 2x16 | 30 | 720 | 28.00 |
| 2.5x16 | 30 | 720 | 30.00 |



GOLD SERIES
STAINLESS STEEL

L HINGES GOLD (WELDING)

| Size (Inch/mm) | PCS/BOX | PCS/CRTN. | Price |
|----------------|---------|-----------|-------|
| 75 x 10 x 6 | 20 | 480 | 46.00 |
| 75 x 10 x 13 | 20 | 480 | 48.00 |
| 75 x 10 x 19 | 20 | 480 | 50.00 |
| 75 x 10 x 25 | 15 | 360 | 52.00 |



PARLIAMENT MOON TYPE HINGES (WELDING)

| Size | PCS./BOX | PCS/CRTN. | Price |
|--------------|----------|-----------|--------|
| 3" x 3.00 mm | 10 | 120 | 195.00 |
| 4" x 3.00 mm | 10 | 120 | 215.00 |
| 5" x 3.00 mm | 10 | 120 | 255.00 |
| 6" x 3.00 mm | 10 | 120 | 295.00 |



MRS W (WELDING HINGES)

| Size (Inch/mm) | PCS/BOX | PCS/CRTN. | Price |
|----------------|---------|-----------|-------|
| 75x12x6 | 10 | 240 | 56.00 |
| 75x12x12 | 10 | 240 | 58.00 |
| 75x12x19 | 10 | 240 | 60.00 |

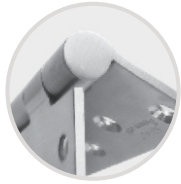


MRS STONE HINGES (WELDING)

| Size (Inch/mm) | PCS/BOX | PCS/CRTN. | Price |
|--------------------|---------|-----------|-------|
| 100X(25 X 38)X1.70 | 10 | 240 | 65.00 |



GOLD SERIES
STAINLESS STEEL



**GRADE
AISI 304
STAINLESS
STEEL**

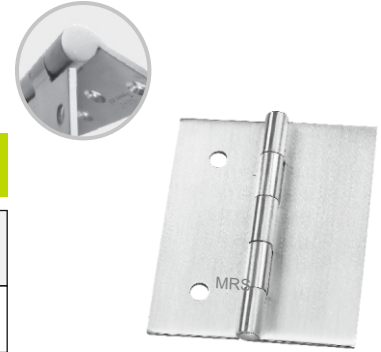
MRS (WELDING HINGES) (SS304)

| Size (Inch/mm) | PCS/BOX | PCS/CRTN. | Price |
|-------------------|---------|-----------|--------|
| 3X12 | 20 | 480 | 90.00 |
| 4X12 | 10 | 240 | 140.00 |
| 5X10 | 10 | 160 | 220.00 |
| 5X12 | 10 | 240 | 160.00 |

GOLD SERIES
STAINLESS STEEL

MRS STONE DOUBLE FLEP HINGES (WELDING)

| Size (Inch/mm) | PCS/BOX | PCS/CRTN. | Price |
|--------------------|---------|-----------|-------|
| 100X(38 X 38)X1.70 | 10 | 240 | 70.00 |



GOLD SERIES
STAINLESS STEEL

STAINLESS STEEL TOWER BOLT (JOINT LESS)
10 mm (SQUARE & ROUND)

| Size (Inch/mm) | PCS/BOX | PCS/CRTN. | Price |
|----------------|---------|-----------|--------|
| 4" | 10 | 240 | 90.00 |
| 6" | 10 | 160 | 135.00 |
| 8" | 10 | 160 | 180.00 |
| 10" | 10 | 120 | 225.00 |
| 12" | 10 | 120 | 270.00 |
| 18" | - | 50 | 405.00 |
| 24" | - | 50 | 540.00 |



SQUARE

STAINLESS STEEL TOWER BOLT (JOINT LESS)
12 mm (ROUND)

| Size (Inch/mm) | PCS/BOX | PCS/CRTN. | Price |
|----------------|---------|-----------|--------|
| 4" | 10 | 240 | 112.00 |
| 6" | 10 | 160 | 168.00 |
| 8" | 10 | 160 | 224.00 |
| 10" | 10 | 120 | 280.00 |
| 12" | 10 | 120 | 336.00 |
| 18" | - | 50 | 504.00 |
| 24" | - | 50 | 672.00 |

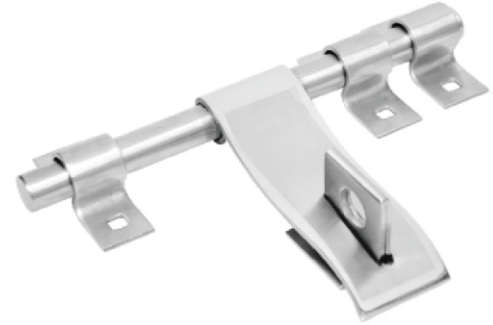


ROUND

GOLD SERIES
STAINLESS STEEL

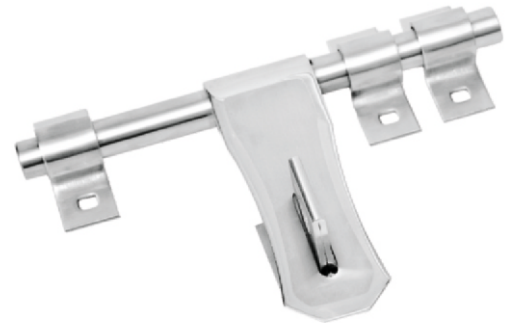
ALDROPS (14mm 3+1)

| FLAPTHICKNESS (mm) | PIN DIA (mm) | SIZE (mm) & Inches | Per Box Pcs. | PCS/CRTN. | Rate Per Pc,In |
|--------------------|--------------|--------------------|--------------|-----------|----------------|
| 2.5 | 14.00 | 200(8") | 4 | 48 | 200.00 |
| 2.5 | 14.00 | 250(10") | 4 | 48 | 215.00 |
| 2.5 | 14.00 | 300(12") | 4 | 48 | 225.00 |
| 2.5 | 14.00 | 14" (4+1) | 4 | 48 | 245.00 |



ALDROPS (16mm 3+1)

| FLAPTHICKNESS (mm) | PIN DIA (mm) | SIZE (mm) & Inches | Per Box Pcs. | PCS/CRTN. | Rate Per Pc,In |
|--------------------|--------------|--------------------|--------------|-----------|----------------|
| 3 | 16.00 | 200(8") | 4 | 48 | 235.00 |
| 3 | 16.00 | 250(10") | 4 | 48 | 250.00 |
| 3 | 16.00 | 300(12") | 4 | 48 | 265.00 |
| 3 | 16.00 | 14" (4+1) | 4 | 48 | 285.00 |



LATCH STAINLESS STEEL (12MM)

| Size (Inch/mm) | PCS/BOX | PCS/CRTN. | Price |
|----------------|---------|-----------|--------|
| 8 | 6 | 72 | 150.00 |
| 10 | 6 | 72 | 160.00 |



BOX ALDROPS (14 MM)

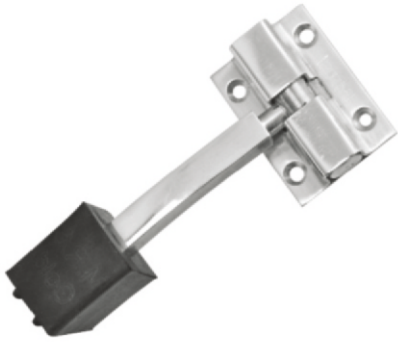
| Size (Inch/mm) | PCS/BOX | PCS/CRTN. | Price |
|----------------|---------|-----------|-------|
| 5 | 6 | 72 | 180 |



GOLD SERIES
STAINLESS STEEL

STAINLESS STEEL DOOR STOPER

| Size | PCS./BOX | PCS/CRTN. | Price |
|---------------|----------|-----------|--------|
| 1 Pcs. Rod 4" | 12 | 240 | 110.00 |
| 1 Pcs. Rod 5" | 12 | 240 | 130.00 |



'D' HANDLE (PLAIN)

| Size | PCS./BOX | PCS/CRTN. | Price |
|-------------|----------|-----------|--------|
| 5"x3.00mm | 10 | 240 | 50 |
| 6" x 3.00mm | 15 | 300 | 55.00 |
| 6" x 5.00mm | 10 | 240 | 100.00 |
| 8"x 4.00mm | 10 | 240 | 120.00 |



**GOLD SERIES
STAINLESS STEEL**

NRS SUPER (JOINTLESS) HINGES

| Size (Inch/mm) | PCS/BOX | PCS/CRTN. | Price |
|----------------|---------|-----------|-------|
| 3X16 | 30Pcs. | 720 | 22.00 |
| 4X14 | 10Pcs. | 240 | 41.00 |
| 5X14 | 10Pcs. | 240 | 55.00 |
| 3X12 | 20Pcs. | 480 | 37.00 |
| 4X12 | 10Pcs. | 240 | 53.00 |
| 5X12 | 10Pcs. | 240 | 73.00 |



NRS SUPER GOLD HINGES (JOINTLESS)

| Size (Inch/mm) | PCS/BOX | PCS/CRTN. | Price |
|----------------|---------|-----------|-------|
| 75X13X19 | 30 PCS. | 720 | 21.00 |
| 75X19X19 | 30 PCS. | 720 | 23.00 |
| 75X15X10 | 30 PCS. | 720 | 21.00 |
| 75X27X10 | 30 PCS. | 720 | 23.00 |



LATCH, HANDLE & L-HINGES SERIES
STAINLESS STEEL



PL



L-HINGES



W-HINGES



PL



A-ONE



SLEEK



SLD



JAZZ



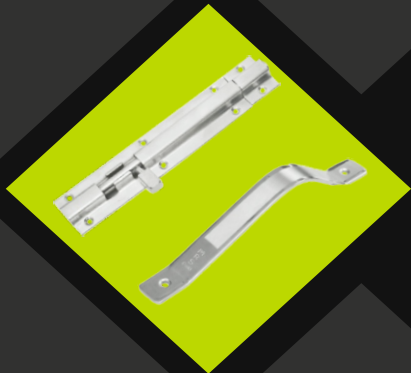
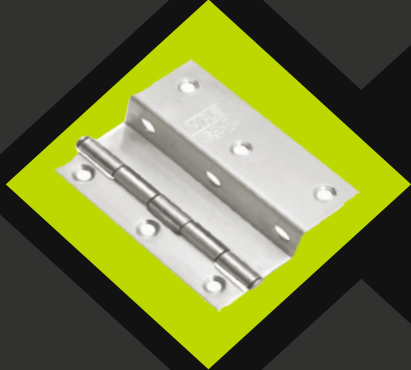
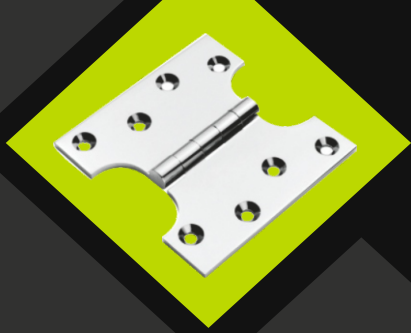
STT



MANGO



ALDROPS



NRS[®]
ARCHITECTURAL HARDWARE

NRS

HARDWARE FITTINGS

CIZON

HARDWARE FITTINGS

Price are subject to change without prior notice.
Product show in catalogue are only the visual and may be
differ from original. Please refer the original product
for toughen glass cutout.

mail us at : nrsdelhi39@gmail.com



Dealer/Distributor

